

Model 1216 Axial Torsion Load Cell

Why the Interface model 1216 Axial Torsion Load Cell is the best in class:

- Measures load and torque
- Minimal crosstalk
- Extraneous load resistance
- Fatigue rated

OPTIONS*

Integral Cable
Compression Overload Protection
Connector Protector



SPECIFICATIONS

ACCURACY – (MAX ERROR)	Axial Bridge A	Torsion Bridge B
Nonlinearity–% FS	± 0.04	± 0.07
Hysteresis–% FS	± 0.04	± 0.05
Nonrepeatability–% RO	± 0.02	± 0.05
Creep, in 20 min–%	± 0.025	± 0.025

TEMPERATURE

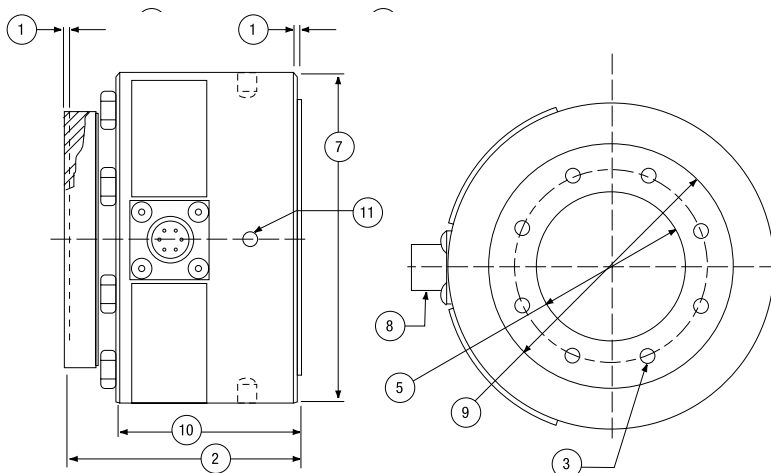
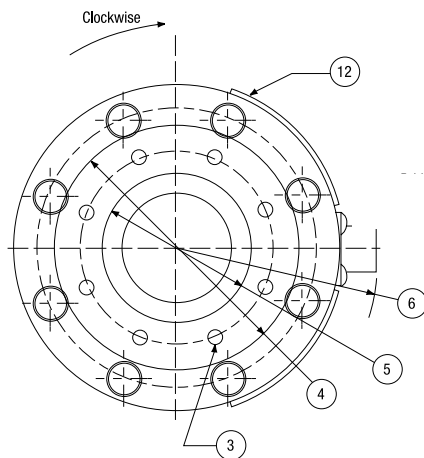
Compensated Range–°F	15 to 115	15 to 115
Compensated Range–°C	-10 to 45	-10 to 45
Operating Range–°F	-65 to 200	-65 to 200
Operating Range–°C	-55 to 90	-55 to 90
Effect on Output–%/100°F – MAX	± 0.08	± 0.08
Effect on Zero–% RO/100°F – MAX	± 0.08	± 0.08

ELECTRICAL

Rated Output–mV/V (Nominal)	1.50	1.80
Zero Balance–% RO	± 2.0	± 2.0
Input Resistance–Ohms	700±7	700±7
Output Resistance–Ohms	700±7	700±7
Excitation Voltage – MAX	20 VDC	20 VDC

MECHANICAL

Calibration	T&C	CW & CCW
Safe Overload–% CAP	± 200	± 200
Ultimate Overload–% CAP	± 400	± 400



DIMENSIONS

See Drawing	MODEL 1216	
	CAPACITY (lbf)/(inch-lb)	
	250/125, 500/250, 1K/500, 2K/1000	
	inch	mm
①	0.070	1.78
②	3.00	76.2
③	0.250-28 x 0.43 deep on a 2.600 B.C.	
④	3.20	81.3
⑤	2.000 + 0.002 / -0.000	
⑥	2.77	70.3
⑦	4.13	104.3
⑧	PT02E-12-8P	
⑨	3.200	81.28
⑩	2.33	59.2
⑪	0.25	6.4
	0.25 deep	6.4 deep
⑫	Label	