

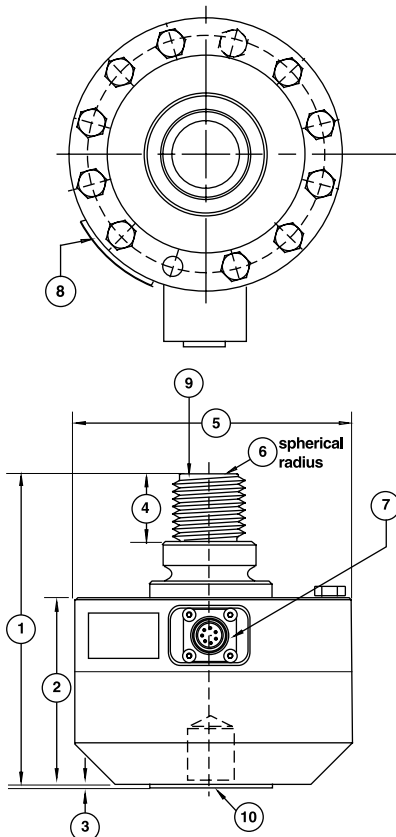
Model 1800 Platinum Standard™ Calibration Load Cell

Why the Interface model 1800 Platinum Standard™ Calibration Load Cell is the best in class:

- Handcrafted excellence for the most demanding calibration requirements
- Tension and compression in one unit
- .005% nonrepeatability
- 2% lower load limit per ASTM E74
- High precision base installed
- ASTM E74 calibration standard
- Internal electronic ID
- Eccentric load compensated
- .0008%/°F temp. effect on output
- Connector protector standard



*Additional capacities available, call factory for details



DIMENSIONS

See Drawing	MODEL					
	1810		1820		1830	
	CAPACITY (lbf)					
	U.S. (lbf)	Metric (kN)	U.S. (lbf)	Metric (kN)	U.S. (lbf)	Metric (kN)
	1.1K, 2.2K, 3.3K, 5.5K	5, 10, 15, 25	11K, 22K	50, 100	55K	250
	inch	mm	inch	mm	inch	mm
①	4.65	118.1	6.85	174.0	8.26	209.7
②	3.28	83.3	4.13	104.9	5.00	127.0
③	0.03	0.80	0.03	0.80	0.03	0.80
④	0.75	19.1	1.50	38.1	1.88	47.8
⑤	4.13	104.9	6.06	154.0	8.00	203.2
⑥	6.00	152.4	6.00	152.4	8.00	203.2
⑦	PT02E-12-8P					
⑧	Identification Label					
⑨	5/8-18 UNF-3A	M16x2-4h	1 1/4-12 UNF-3A	M33x2-4h	1 3/4-12 UNF-3A	M42x2-4h
⑩	5/8-18 UNF-3B 0.75 deep	M16x2-4H 19.1	1 1/4-12 UNF-3B 1.25 deep	M33x2-4H 31.8	1 3/4-12 UNF-3B 2.00 deep	M42x2-4H 50.8