

Model REC Rod End Load Cell

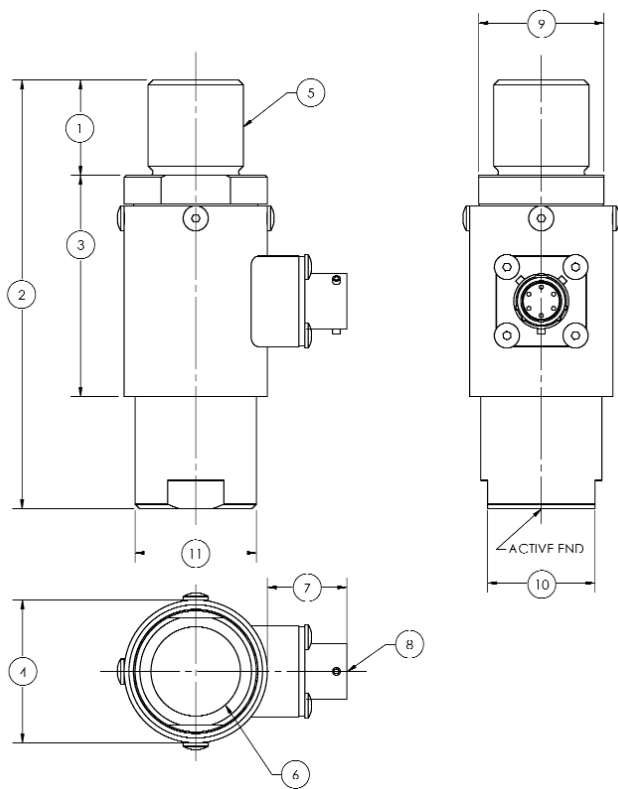
Why the Interface model REC Rod End Load Cell is the best in class:

- Proprietary Interface temperature compensated strain gages
- Environmentally sealed
- Stainless steel construction
- Low deflection



DIMENSIONS

| See Drawing | CAPACITY | | CAPACITY | |
|-------------|--|-------------------|-----------------------------|-------------------|
| | 1K, 2K, 3K, 5K, 10K, 15K, 20K, 25K (lbf) 5, 9, 13, 22, 45, 67, 90, 110 (kN) | | 25K (lbf) 220 (kN) | |
| | inch | mm | inch | mm |
| ① | 1.00 | 25.4 | 1.50 | 38.1 |
| ② | 4.50 | 114.3 | 7.00 | 177.8 |
| ③ | 2.32 | 58.9 | N/A | N/A |
| ④ | 1.50 | 38.1 | Ø2.50 | 63.5 |
| ⑤ | 1.00-14 UNS-2A | | 1.500-12 UNF-2A | |
| ⑥ | 1.00-14 UNS-2B X \downarrow 1.00 | | 1.500-12 UNF-2B - 1.5" deep | |
| ⑦ | 0.83 | 21.1 | .71 | 18 |
| ⑧ | PT02E-106P Connector | | PT02E-106P Connector | |
| ⑨ | 1.31 Wrench Flats | 33.3 Wrench Flats | 1.75 Wrench Flats | 44.5 Wrench Flats |
| ⑩ | 1.13 Wrench Flats | 28.7 Wrench Flats | 2.25 Wrench Flats | 57.2 Wrench Flats |
| ⑪ | 1.27 | 32.3 | Ø1.93 | 49 |



SPECIFICATIONS

ACCURACY – (MAX ERROR)

Nonlinearity - % FS.....±0.25
 Hysteresis - % FS.....±0.15
 Nonrepeatability - % FS±0.05

TEMPERATURE

Compensated Range - °F-60 to 160
 Compensated Range - °C-15 to 72
 Operating Range - °F-60 to 200
 Operating Range - °C-50 to 93
 Effect on Output - %/°F.....±0.005
 Effect on Output - %/°C±0.01
 Effect on Zero - % RO/°F±0.005
 Effect on Zero - % RO/°C±0.01

ELECTRICAL

Rated Output- mV/V (nominal).....2
 Zero Balance - %RO±3
 Bridge Resistance – Ohm (nominal)350
 Excitation Voltage – MAX15 VDC

MECHANICAL

CalibrationT & C
 Safe Overload - % RO.....150
 Deflection.....0.001 inch
 Connector.....PT02E-10-6P
 Weight1.0 lb

STANDARD CONFIGURATION

PT02E-10-6P Connector

OPTIONS

Integral Cable
 Standardized Output
 Amplifier

ACCESSORIES

Instrumentation
 Mating Connector PT06A-10-6S-SR

Consult factory for more technical information