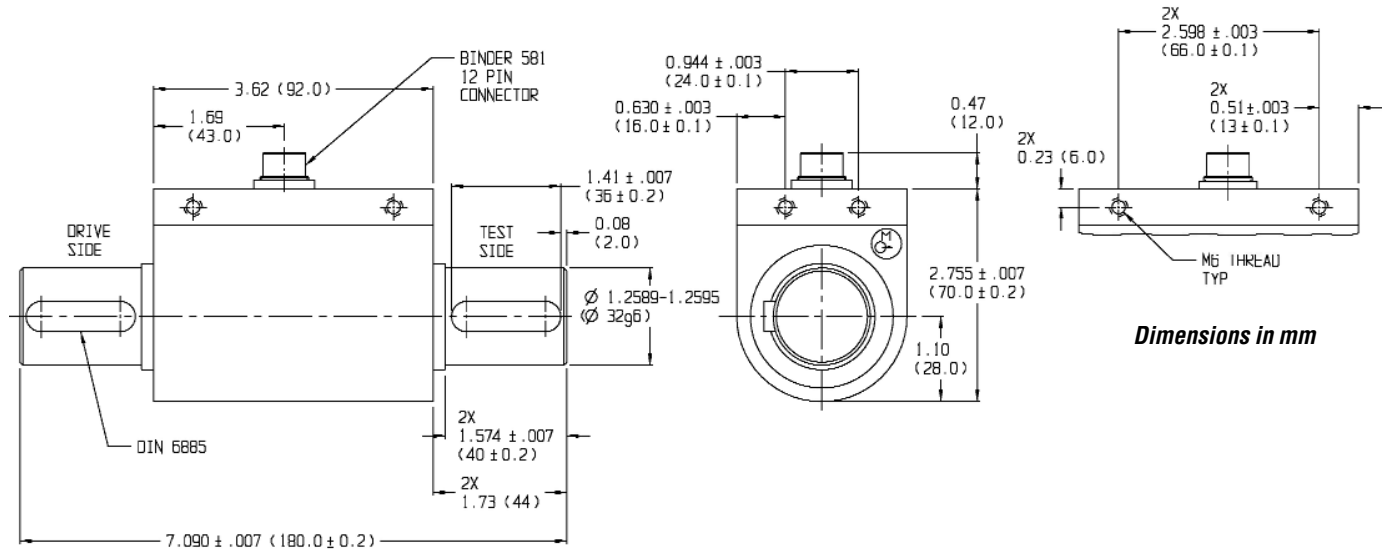


Model T14 Slip-Ring Rotary Torque Transducer - Capacities 200 to 500 Nm (1.77K to 4.4K lb-in)

DIMENSIONS



ELECTRICAL CONNECTION

12-PIN T14 SLIP-RING		
Pin	Function	Description
A	Excitation (GND)	0 V
B	Excitation (+)	2-12 V
C	Signal (+)	+ Output
D	Signal (-)	- Output
E	Excitation Angle	0 V
F	Excitation Angle	+5 V
G	Angle A	TTL
H	Angle B	TTL
J	Angle	0 V
K	R-CAL	Connect to Pin B
L	NC	-
M	Shield	