

Model 5330 Hollow Flange Reaction Torque Transducer

Why the Interface model 5330 Reaction Torque Transducer is the best in class:

- High torsional stiffness
- Extraneous load resistance
- Compact size
- Large thru-hole



SPECIFICATIONS

ACCURACY – (MAX ERROR)

Nonlinearity-% FS±0.1
 Hysteresis-% FS±0.25
 Nonrepeatability-%±0.05

TEMPERATURE

Compensated Range-°F±75 to ±175
 Compensated Range-°C+24 to +80
 Operating Range-°F-65 to +225
 Operating Range-°C-54 to +107
 Effect on Output-%/°F-MAX.....±0.002
 Effect on Zero-% RO/°F-MAX.....±0.002

ELECTRICAL

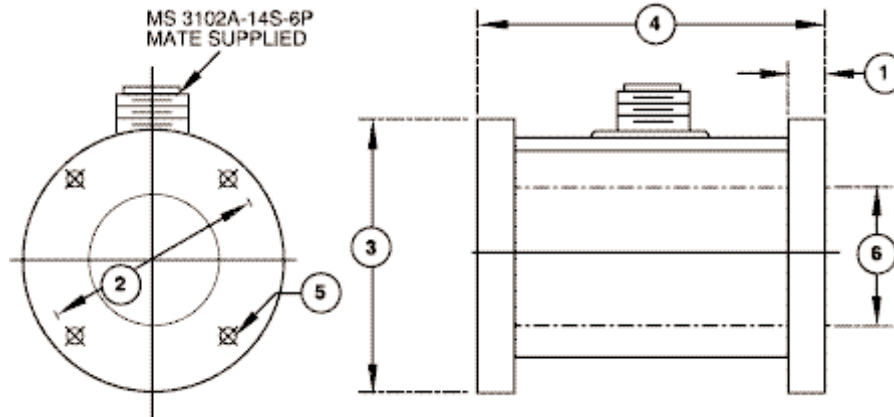
Rated Output-mV/V (Nominal).....2.0
 (5330-60 thru 6K1.0)
 Bridge Resistance-Ohm (Nominal)350
 (5330-3K thru 100K700)
 Excitation Voltage-MAX10 VDC

MECHANICAL

CalibrationCW & CCW
 Safe Overload-% CAP200

DIMENSIONS

See Drawing	MODEL 5330 HOLLOW FLANGE TYPE				
	CAPACITY (lb-in)				
	60, 120, 240	600, 1200	3K, 6K	10K, 20K	50K, 100K
	inch	inch	inch	inch	inch
①	0.3125	0.3125	0.3125	0.625	0.625
②	2	2.5	3.375	4.375	7.00
③	2.5	3.25	4	5	8.5
④	2.125	2.125	2.125	3.5	3.5
⑤	0.203 thru 2 places	0.39 thru 2 places	0.406 thru 4 places	3/8-24 UNF 6 places	0.63 thru 8 places
⑥	.875 thru	1.375 thru	2.375 thru	3.375 thru	3.375 thru



Model 5330